



Christiaens

Agro Systems



ASPARAGUS WASHING, CUTTING, SORTING MACHINE TYPE 260/1-5400 OR 260/2-6500



Operating principle

Machine is suitable for washing, cutting to length and manually sorting of asparagus by size, colour and quality. Machine is equipped with spraying pipe and brush. Is supplied with single box plate and water drain hose of 1.000mm.

Film: <https://www.christiaensagro.com/en/products/asparagus#product-video-4>

Advantages

Long lifespan
Maintenance friendly
Since 1962 services rendered worldwide

Options

Double box plate, Spacing belt, Water recycling, Variable speed gear (Standard at 6500), Extend or shorten sorting part, Extension Laser grading machine.

Technical Data	260/1-5400	260/2-6500
Max capacity	4.000 pc/h 7.200 pc/h (Variable speed gear)	12.000 pc/h
Length	5400mm	6500mm
Width incl. box plate	900mm	900mm
Height	Adjustable	Adjustable
Input part	1.000mm	1.400mm
Knives	1 x Ø220 and counter knife	1 x Ø220 and counter knife
Brush	1 flat and 1 round	2 flat and 1 round
Belt	Cleats 50mm	Cleats 50mm
Grading part	3000mm	3000mm
Cutting length	200-250mm	200-250mm
Power Supply	Choice 230 or 400 Volt	Choice 230 or 400 Volt
Power	0.37KW	0.55KW
Water at 3 bar	460 ltr/h	460 ltr/h
Frame	SS304	SS304

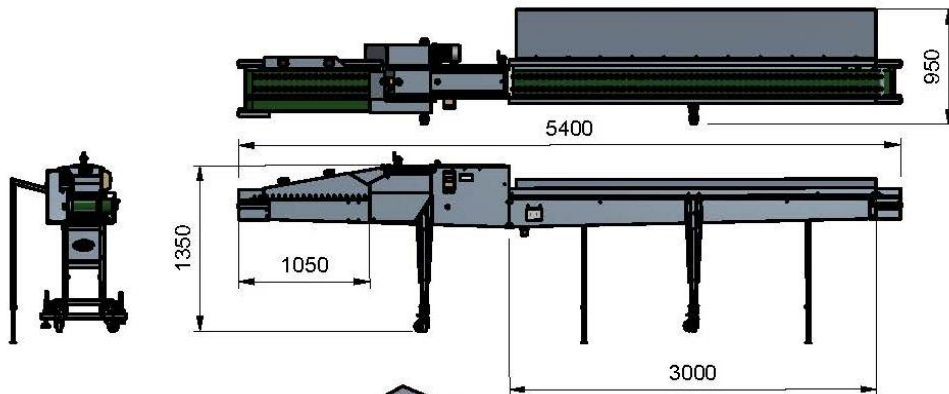
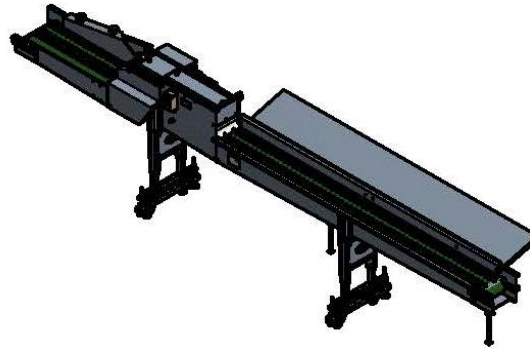


Christiaens

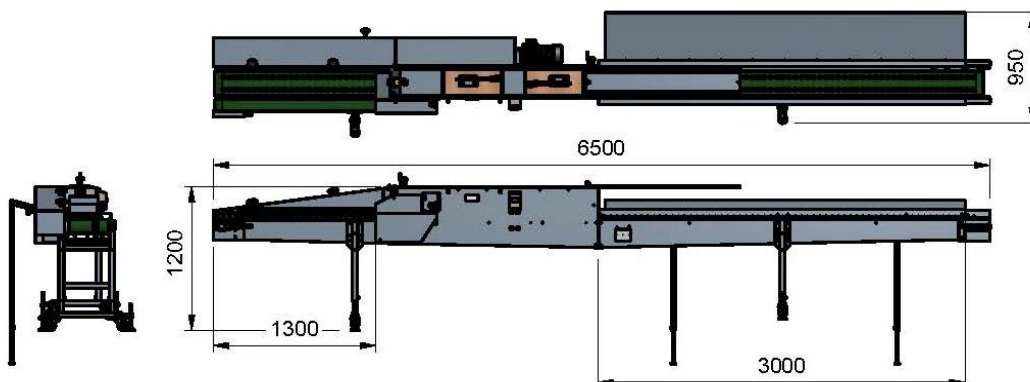
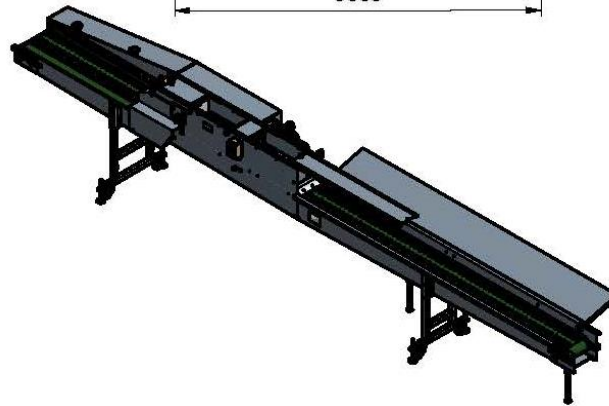
Agro Systems



5400-260-1



6500-260-2



Our products are subject to continuous development and improvement. Moreover, the machines are often adapted to meet the needs of users. This could mean that your machine does not exactly match the description given in the manual.